



**TOYOTA**

ALWAYS A  
**BETTER WAY**

# Avensis Wagon

## Rear bumper protection plate

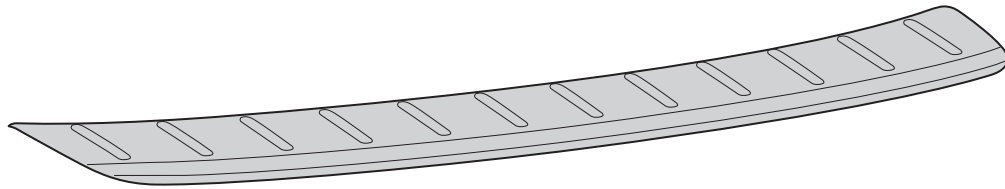
Installation Instructions

Model year: 2015/05  
Vehicle code: \*\*T\*\*\*-AW\*\*PW  
Part number: PW178-05003 Bumper plate polished

Manual reference number: AIM 003 333-0

# Revision record

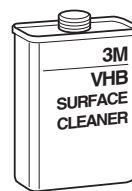
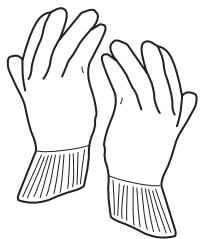
Rev. No.	Date	Page	Picture	Update	New	Deleted steps



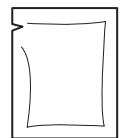
**A**

**PW178-05003**

1x



**PZ415-00000-00**

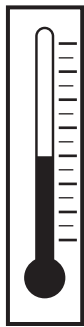


**adhesion promoter  
3M 4298 UV**

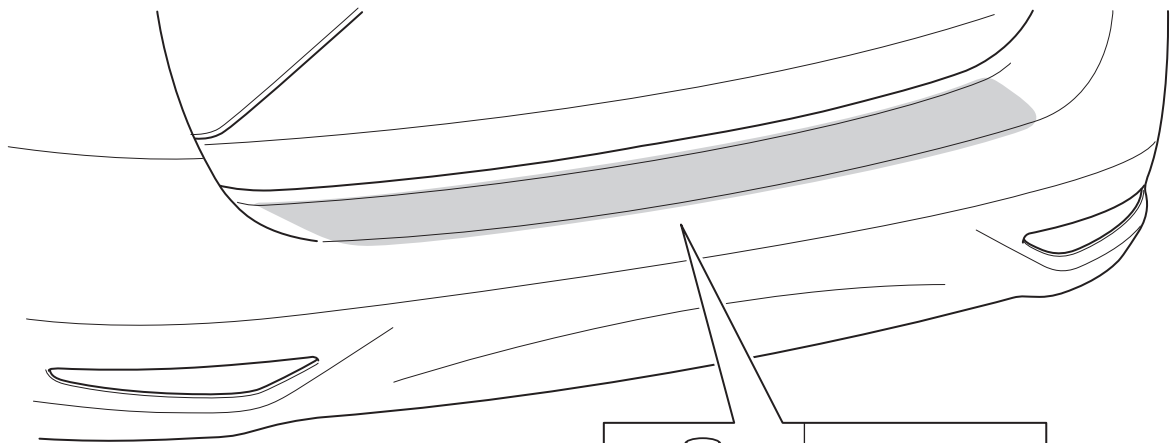
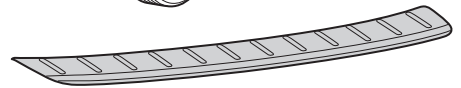
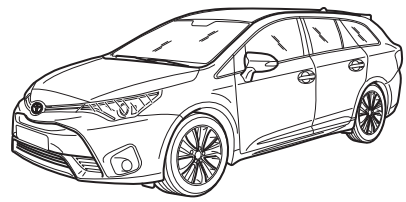


40°C

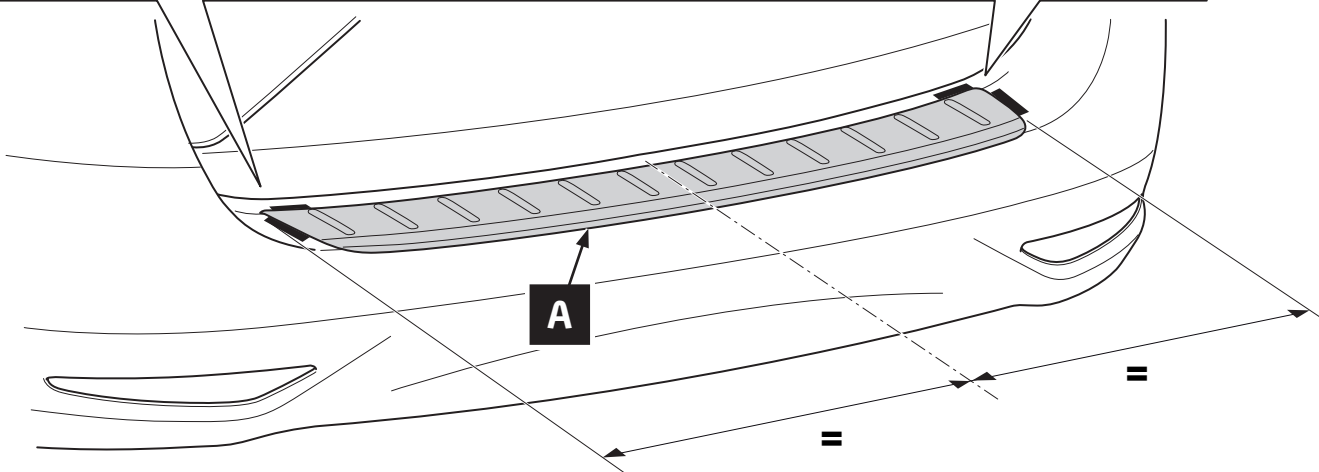
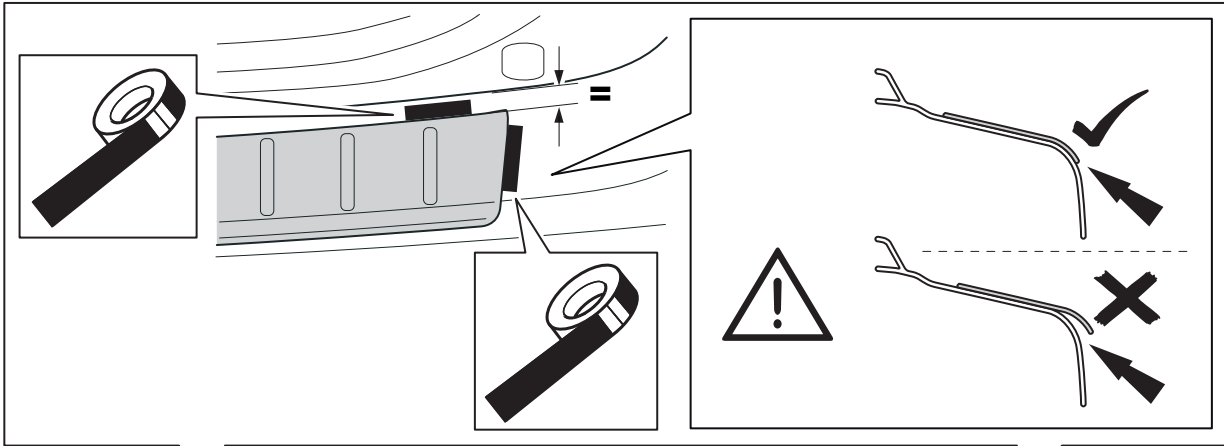
18°C



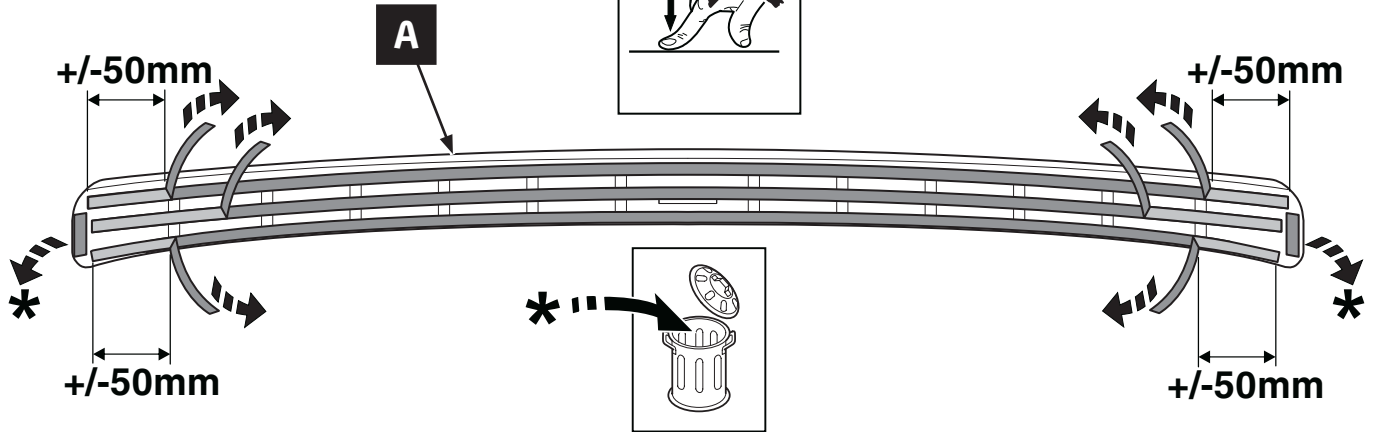
0-95%



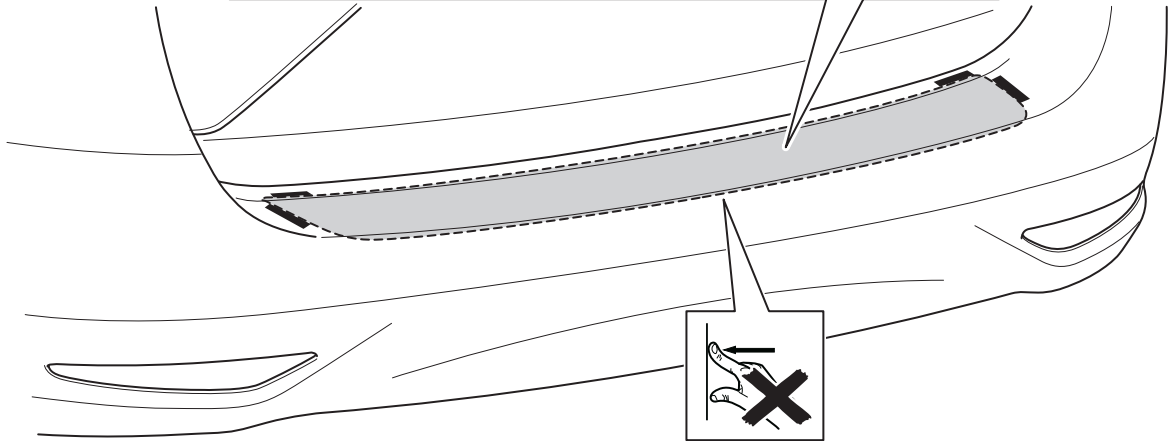
1



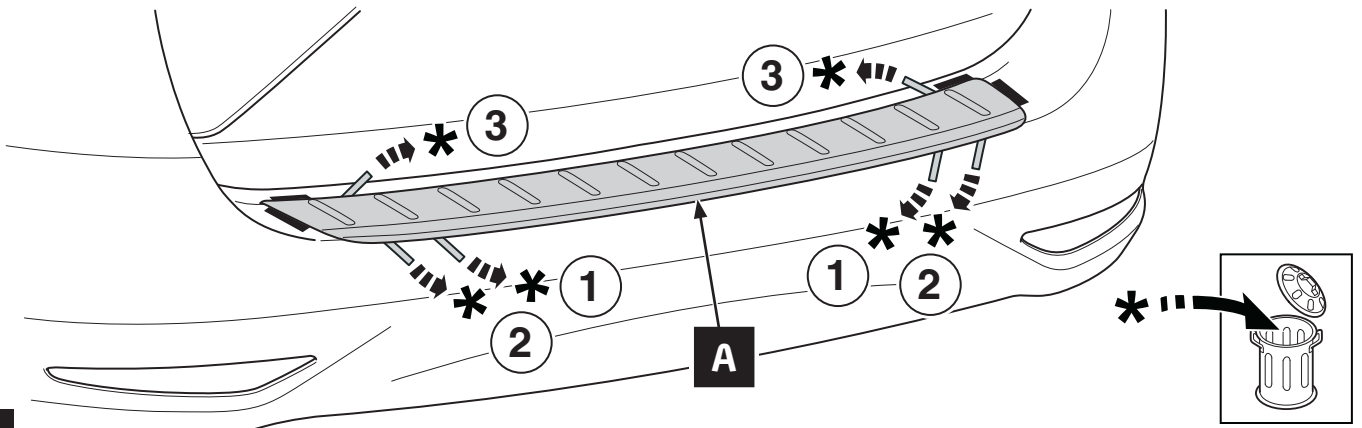
2



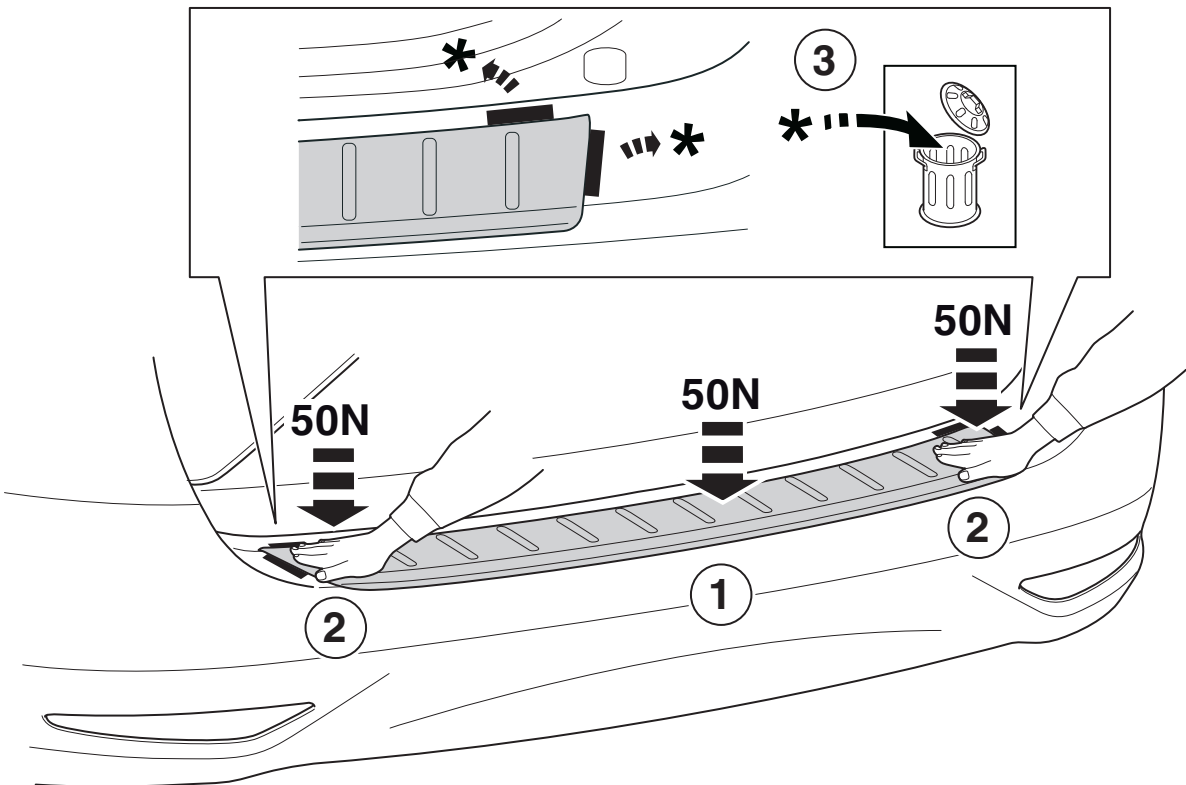
3



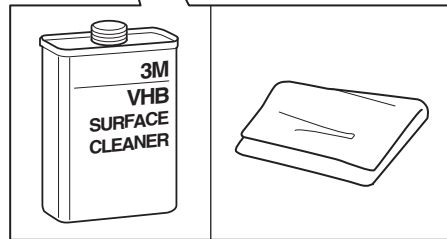
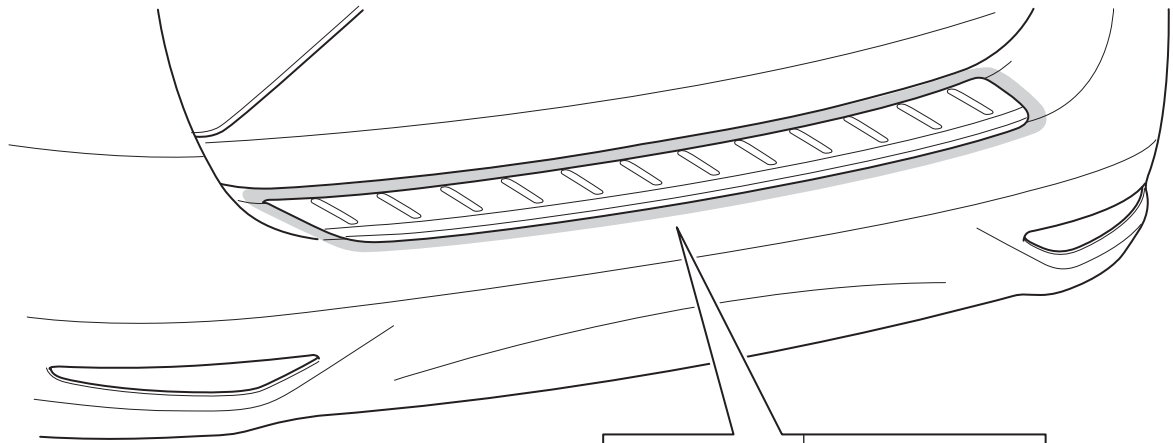
4



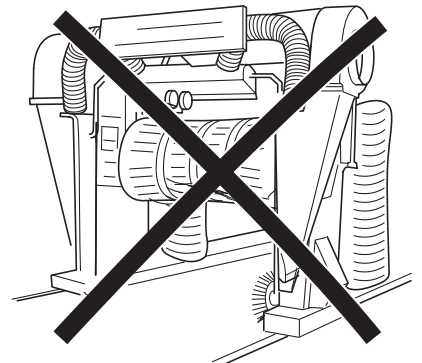
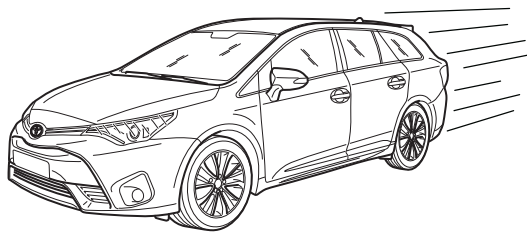
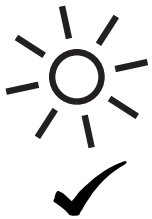
5



6



7



8

# CHECK SHEET



**TOYOTA**

**Model / Year**    **Avensis Wagon**    **Polished rear bumper protection plate**  
 2015/05

**VIN n°**

ALWAYS A BETTER WAY

**P/N = OK**




= OK

**Installation Date:**  
 . . / . . / . . . .

**Technician Name & Signature:**

**Stamp:**