



**HYUNDAI**

**HYUNDAI Genuine Approved Accessories**

**Vehicle Model** TUCSON  
**Model Year** 2011  
**HMA Part No.** 2SF46 AC000  
**Vendor Part No.** \_\_\_\_\_

**Accessory** Front Mudguard  
**Difficulty** (A)  
**Pamphlet No.** \_\_\_\_\_  
**Revision No.** \_\_\_\_\_

- Accessory Installation

Note: Difficulty stated above reflects the minimum level of expertise required to install the accessory  
 (A) Customer (B) Dealer Technician (C) Master Technician

**Instructional Symbols / Definitions**

	Denotes warnings that may lead to serious physical injury or vehicle damage.		Denotes quality processes to be checked prior to moving to the next step.	Denotes safety equipment required to be used such as a mask, goggles, rubber gloves, and hearing protection.	
	Denotes cautions to be taken to avoid physical injury or electronic component damage.		Denotes specific tools that are necessary to complete the step.		
	Denotes cautions to be taken to avoid vehicle and component damage.	<b>NOTE</b>	Denotes instructional steps necessary to complete the process.		

**Basic Required Hand Tools**

 Right Angle Phillips Screw Driver			

**Specialty Required Tools**

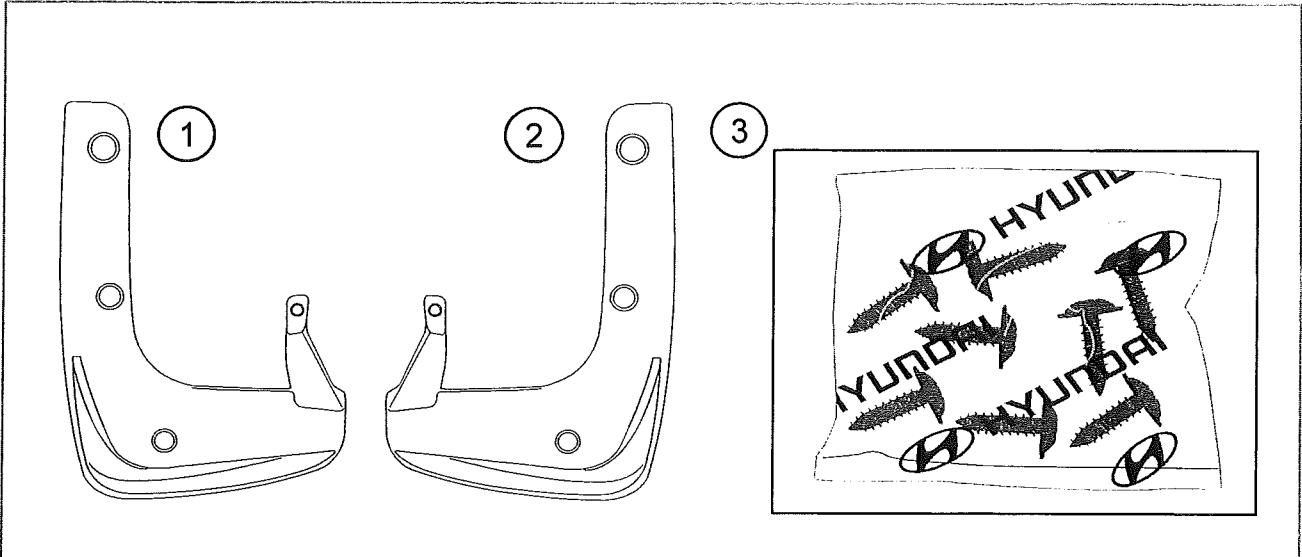
None

**Notes to the Installer**

Read the entire installation pamphlet prior to beginning the installation of the accessory.  
 Ensure that the vehicle is properly protected in the area that the accessory is to be installed.  
 To prevent vehicle damage, never place tools on top of painted surfaces, seats, dash pad, console or floor carpet / mat.  
 Always wear appropriate safety gear to include gloves and eye protection when required.

# HYUNDAI Genuine Approved Accessories

## HYUNDAI Overview

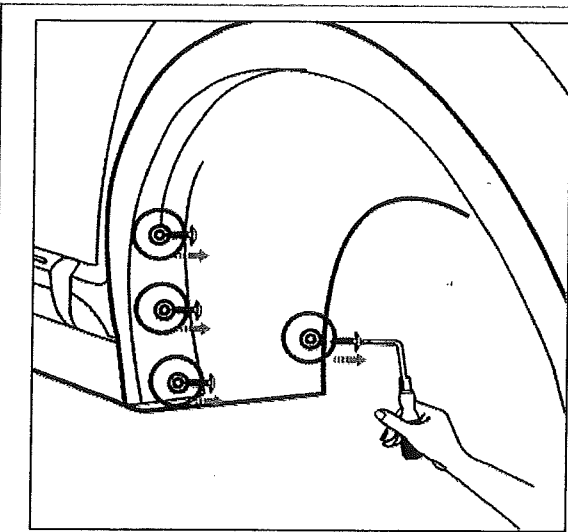
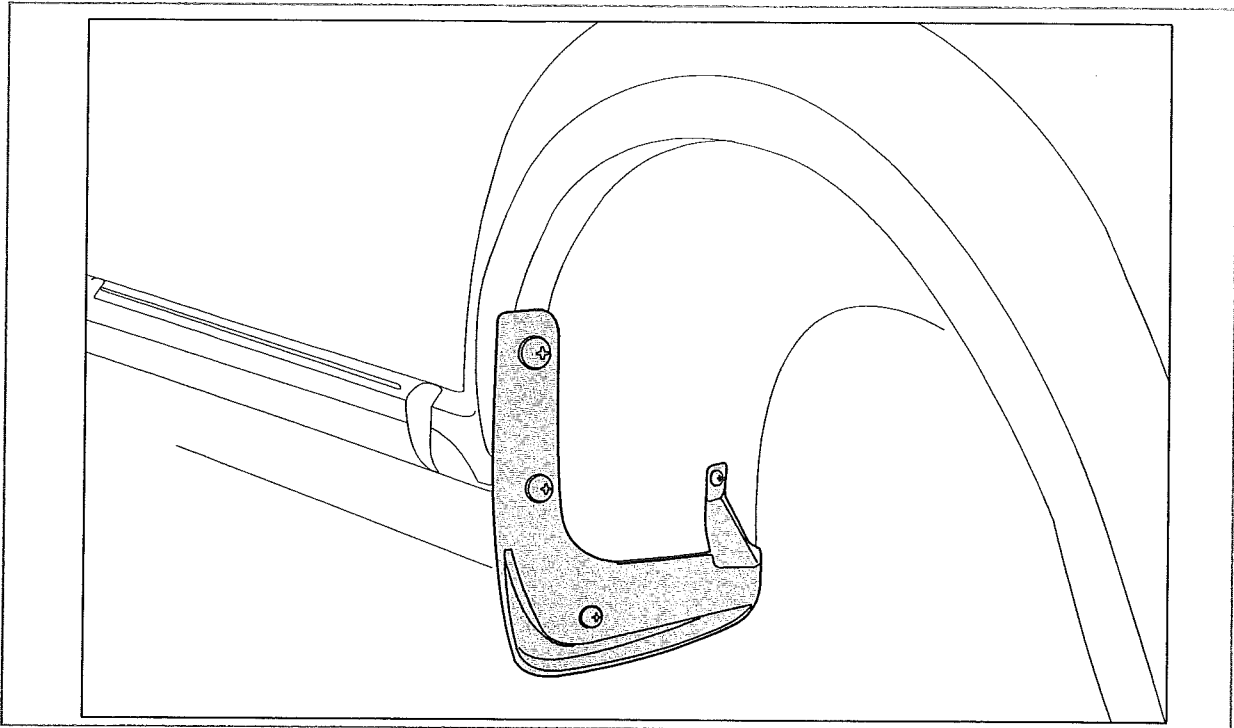


No.	Qty.	Description	No.	Qty.	Description	No.	Qty.	Description
1	1	LH Mud Guard	9			17		
2	1	RH Mud Guard	10			18		
3	1	Hardware Bag	11			19		
4			12			20		
5			13			21		
6			14			22		
7			15			23		
8			16			24		

## Hardware Overview

<table border="1" style="width: 100%; border-collapse: collapse;"> <tr> <td style="text-align: center;">A</td> <td style="text-align: center;"></td> </tr> <tr> <td style="text-align: center;">8</td> <td style="text-align: center;">T/Screw (6mm x 20mm)</td> </tr> </table>	A		8	T/Screw (6mm x 20mm)				
A								
8	T/Screw (6mm x 20mm)							
B	G	L	Q	V				
C	H	M	R	W				
D	I	N	S	X				
E	J	O	T	Y				
<table border="1" style="width: 100%; border-collapse: collapse;"> <tr> <td style="text-align: center;"><b>Hardware Kit Total</b></td> </tr> <tr> <td style="text-align: center;">8</td> </tr> </table>					<b>Hardware Kit Total</b>	8		
<b>Hardware Kit Total</b>								
8								

## HYUNDAI Genuine Approved Accessories (Installation)

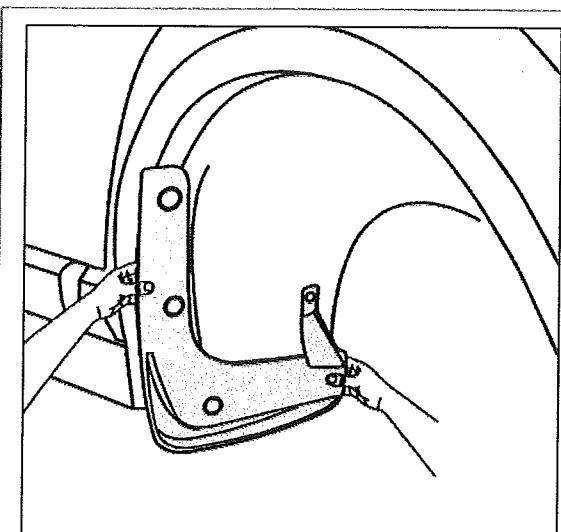


 Right Angle Phillips Screw Driver

1

**N  
O  
T  
E**

1. Remove the four screws from the highlighted areas.
2. Discard the screws.



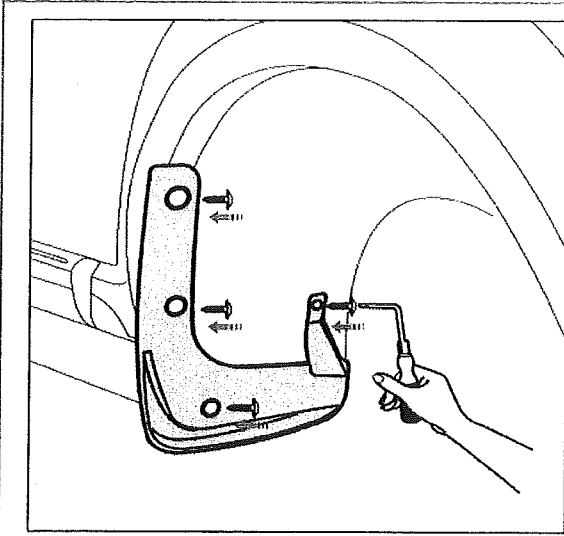


2

**N  
O  
T  
E**

Align mud guard ensuring proper fit.

## HYUNDAI Genuine Approved Accessories (Installation)



	Right Angle Phillips Screw Driver	<b>3</b>
<b>N O T E</b>	Insert and fasten the three screws as shown. Make sure to push the mud guard inward during the installation to eliminate any possible gaps. Repeat the steps for opposite side.	
	After the installation, check for visible gap and if it does not meet a maximum allowable gap (1.5mm), loosen the mounting screws and refit the mud guard to the body to achieve the specification.	

<b>N O T E</b>		

<b>N O T E</b>		

<b>N O T E</b>		