



**TOYOTA**

ALWAYS A  
**BETTER WAY**

# Avensis Sedan

## Rear mud flaps

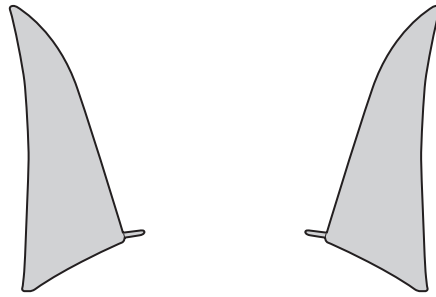
Installation Instructions

Model year: 2015/05  
Vehicle code: \*\*T27\*-AE\*\*\*W  
Part number: PW389-05000-00

Manual reference number: AIM 003 362-1

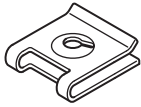
# Revision record

Rev. No.	Date	Page	Picture	Update	New	Deleted steps
1	15/06/2015	2, 5-6	8-10	Part C		



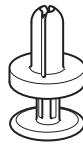
**A**

1x



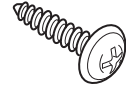
**B**

4x



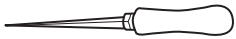
**C**

2x

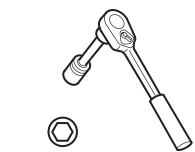
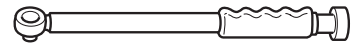
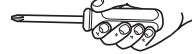


**D**

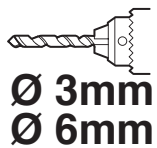
4x



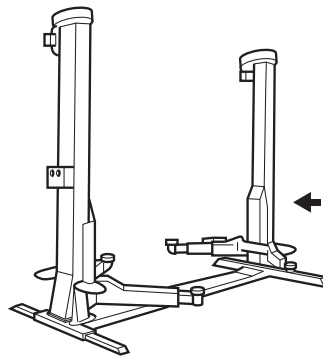
3M VHB



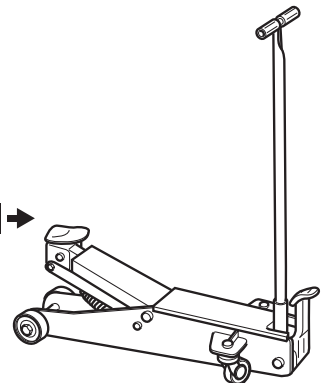
21mm

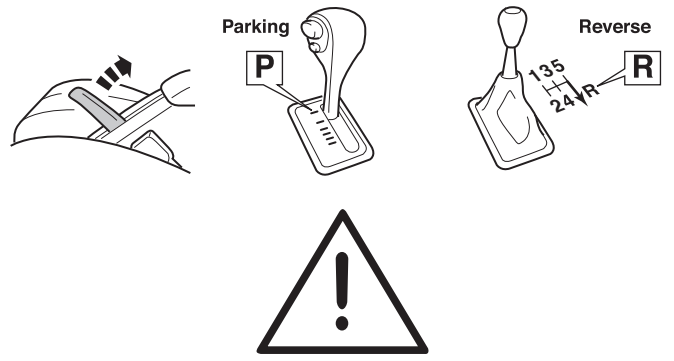


Ø 3mm  
Ø 6mm

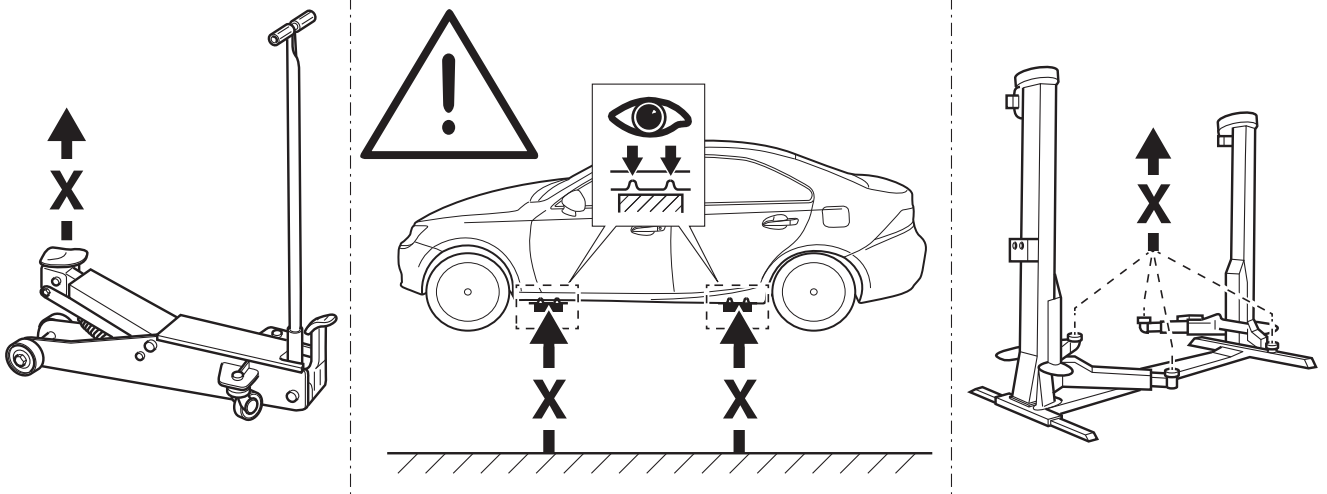


← Or →

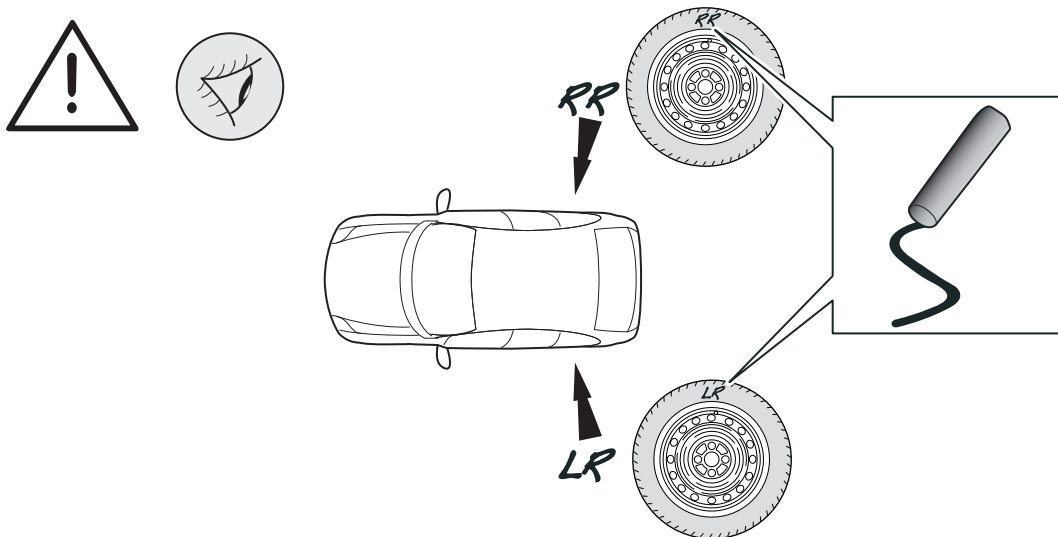




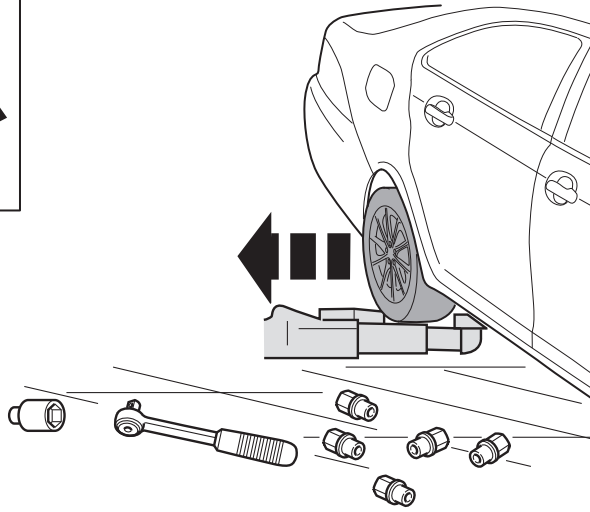
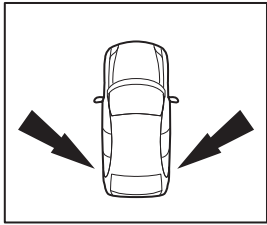
1



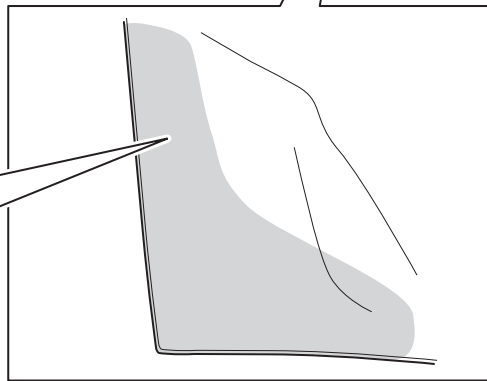
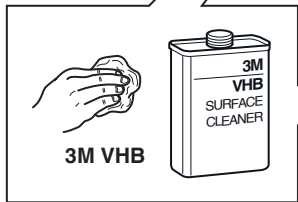
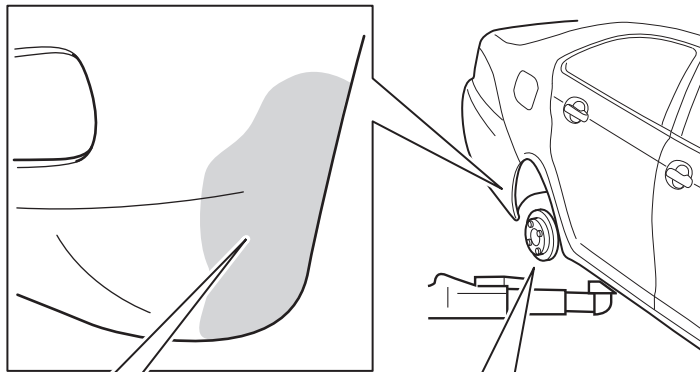
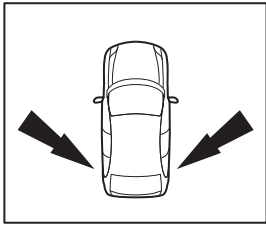
2



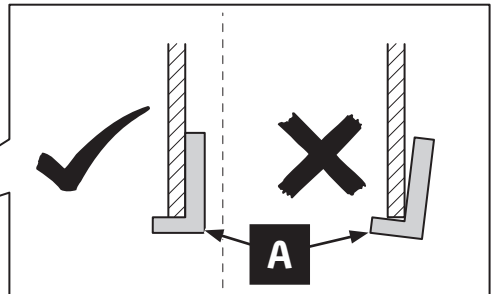
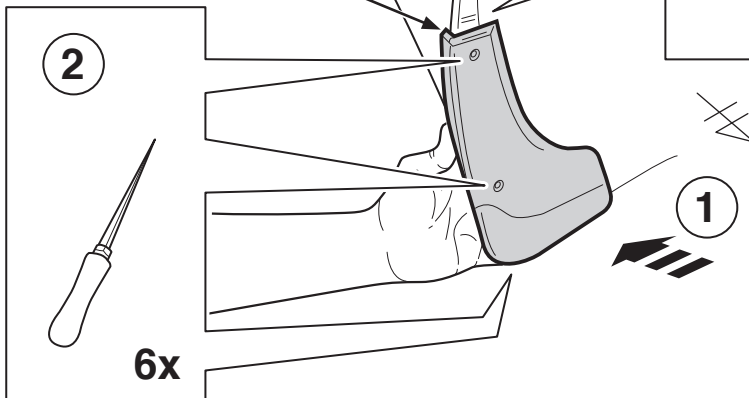
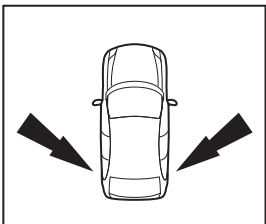
3



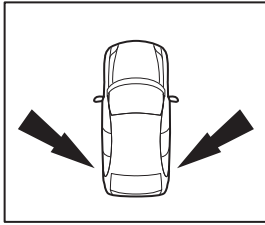
4



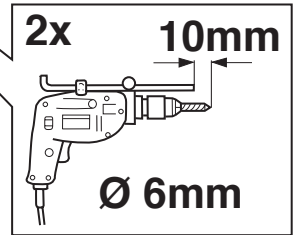
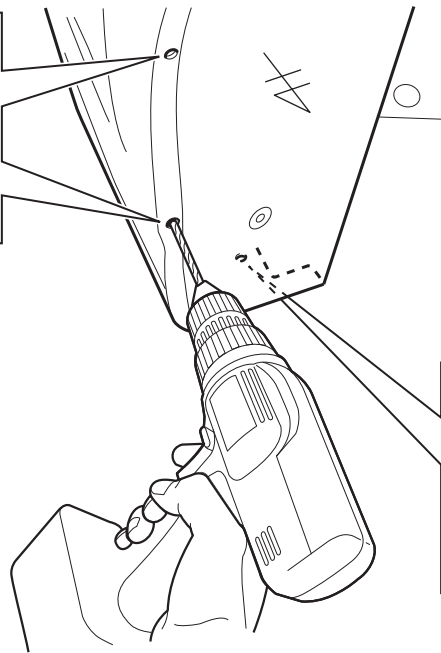
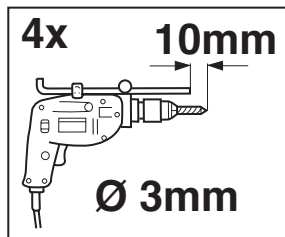
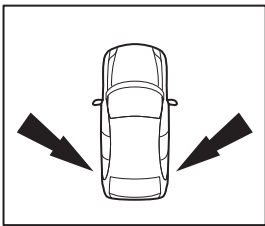
5



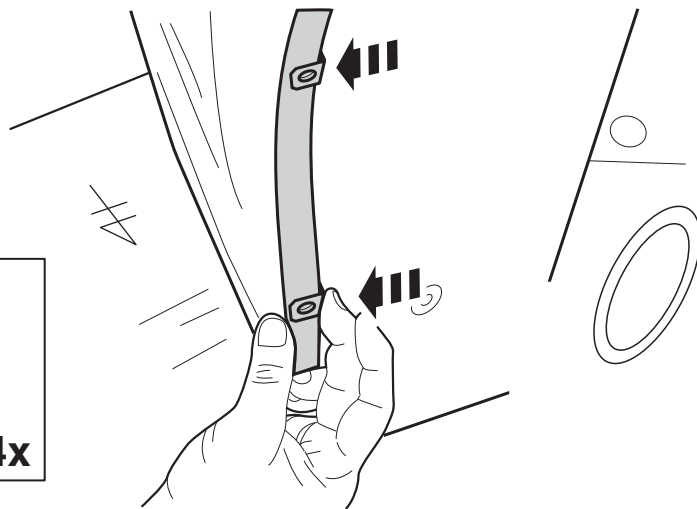
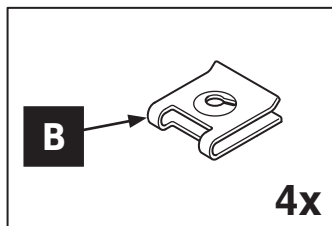
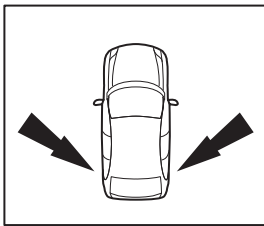
6



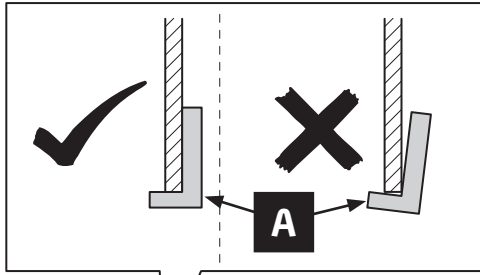
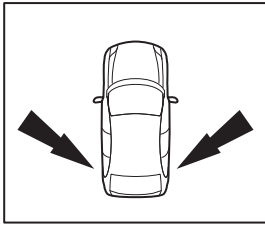
7



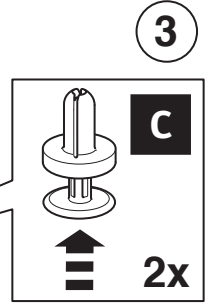
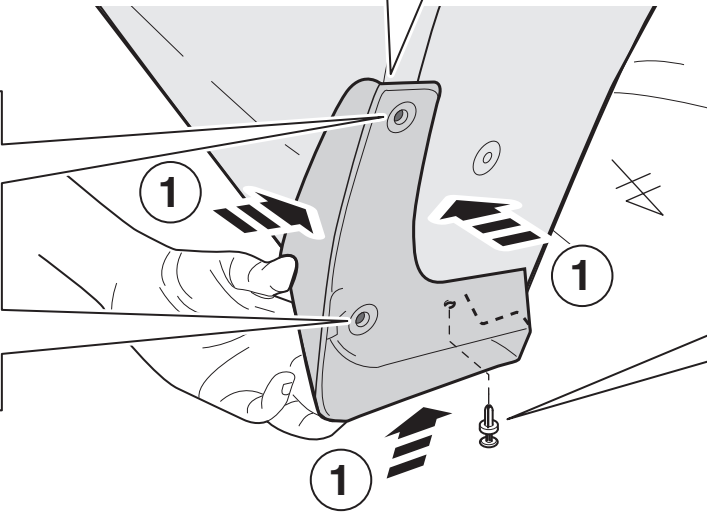
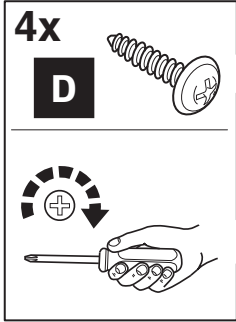
8



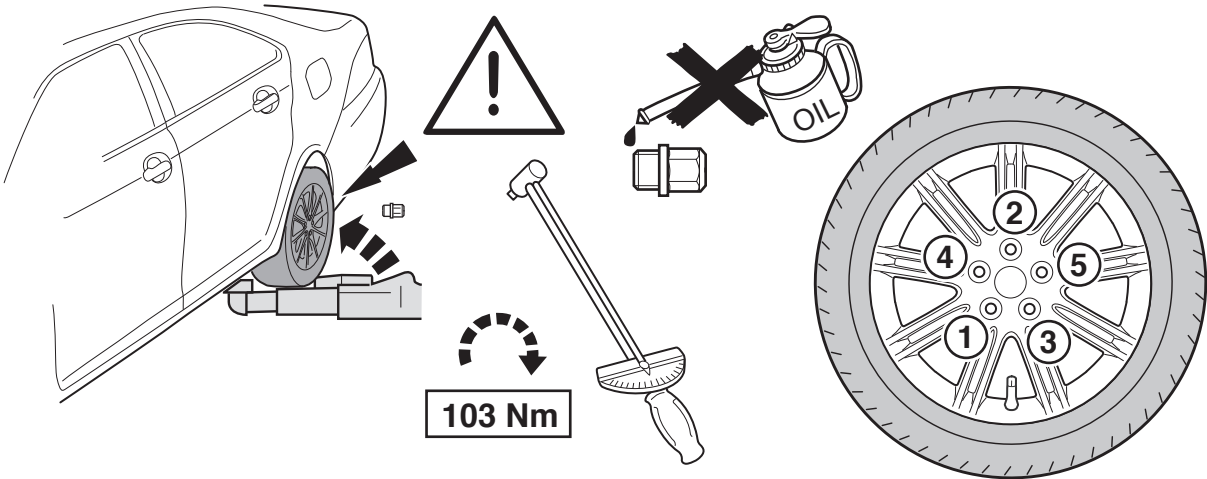
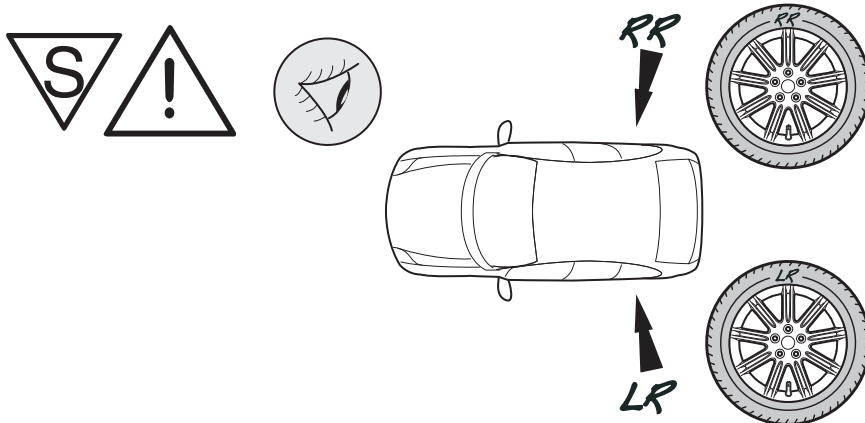
9



2



10



11

# CHECK SHEET



**TOYOTA**

Model / Year **Avensis Sedan 2015/05** Rear mud flaps

VIN n°

ALWAYS A BETTER WAY

**P/N = OK**

=A
 =B

**103 Nm**

CLICK

**Serial Number**

A  A

B  B

**= OK**

**= OK**

**Installation Date:**

. . / . . / . . . .

**Technician Name & Signature:**

**Stamp:**