



**TOYOTA**

ALWAYS A  
**BETTER WAY**

# Avensis

## Hood Protector

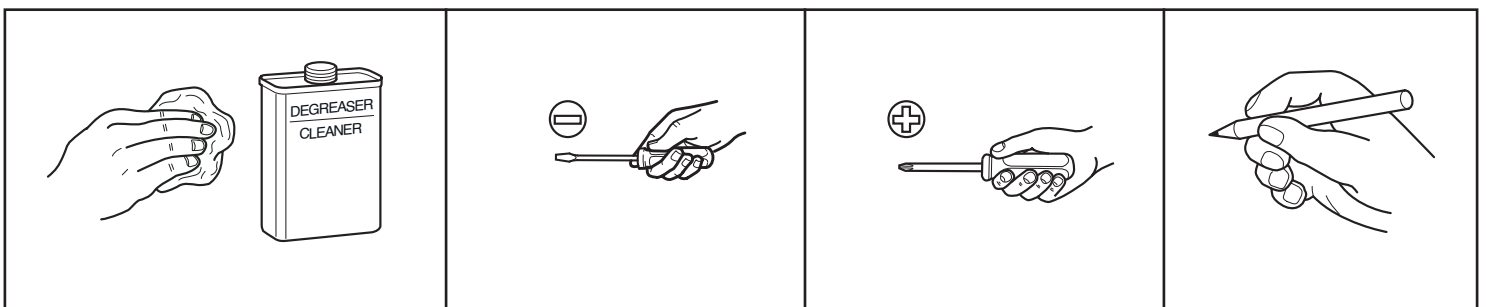
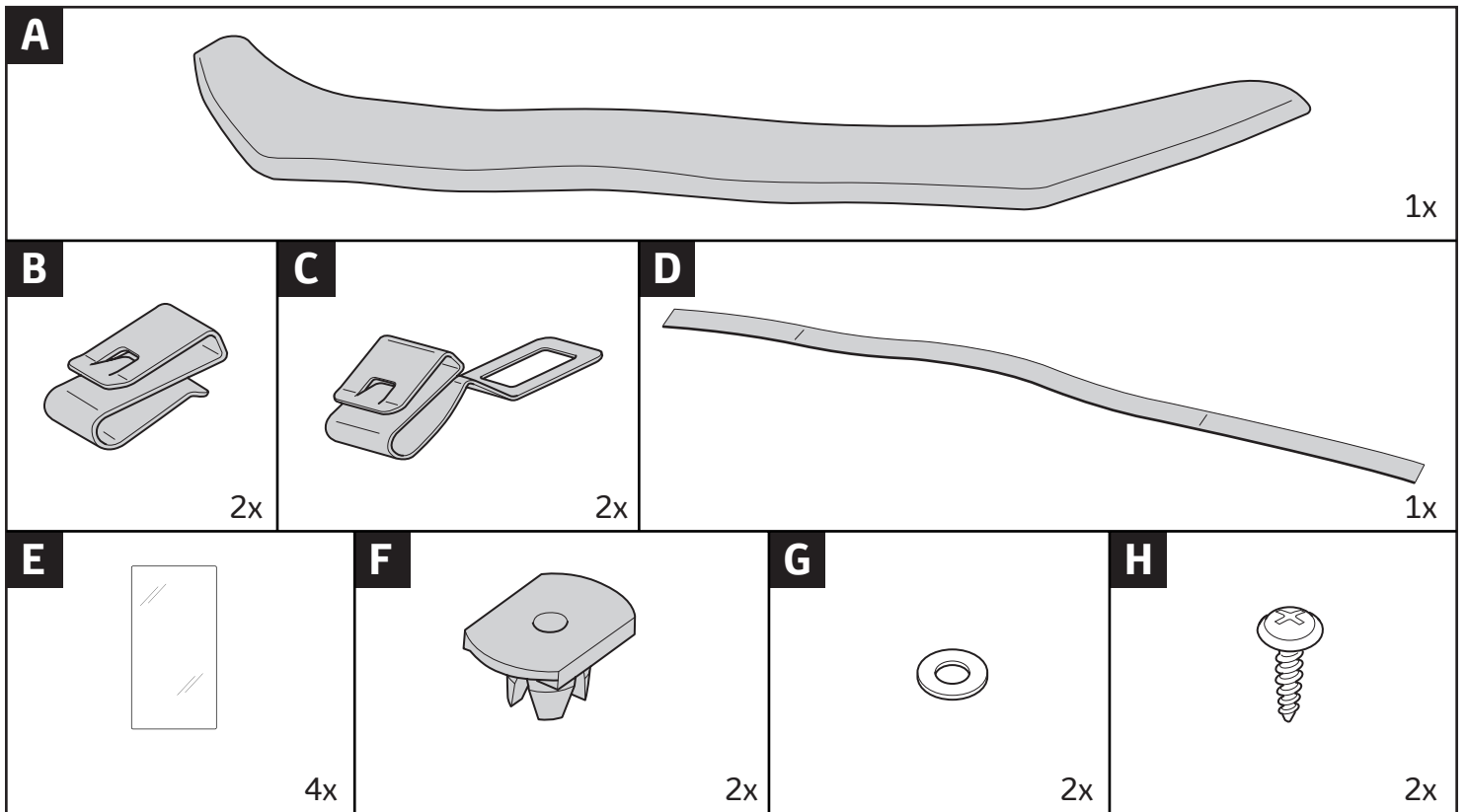
### Installation Instructions

Model year: 2015/05  
Vehicle code: \*\*T27\*-A\*\*\*\*W  
Part number: PW421-05000

Manual reference number: AIM 003 412-1

# Revision record

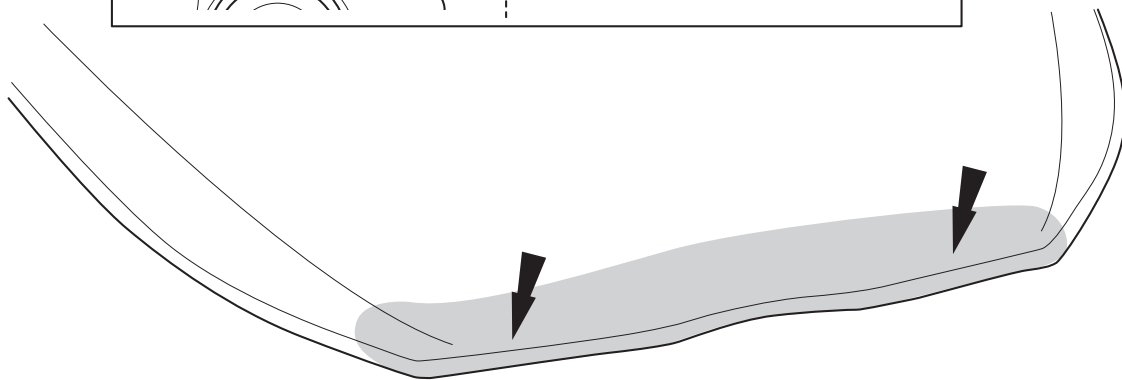
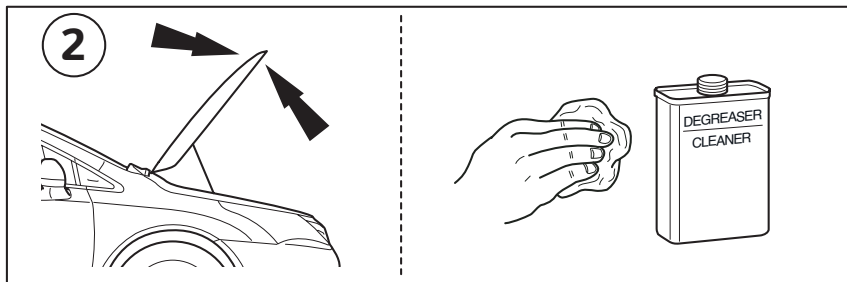
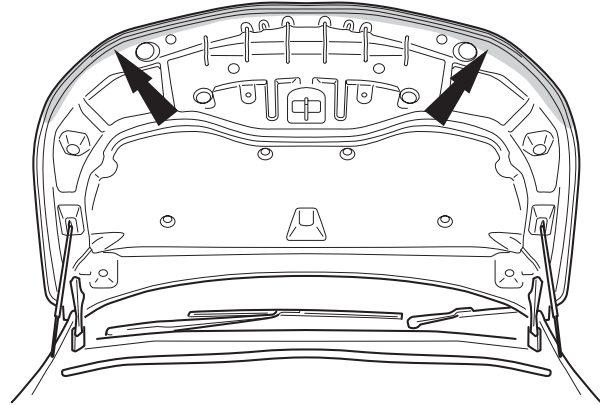
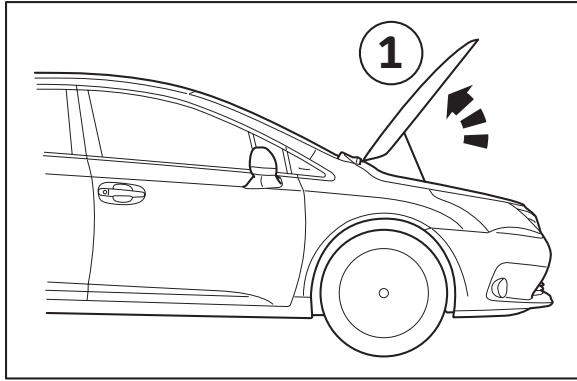
| Rev. No. | Date     | Page | Picture | Update | New | Deleted steps |
|----------|----------|------|---------|--------|-----|---------------|
| 1        | 03-09-15 | all  | all     | X      |     |               |
|          |          |      |         |        |     |               |
|          |          |      |         |        |     |               |
|          |          |      |         |        |     |               |
|          |          |      |         |        |     |               |
|          |          |      |         |        |     |               |



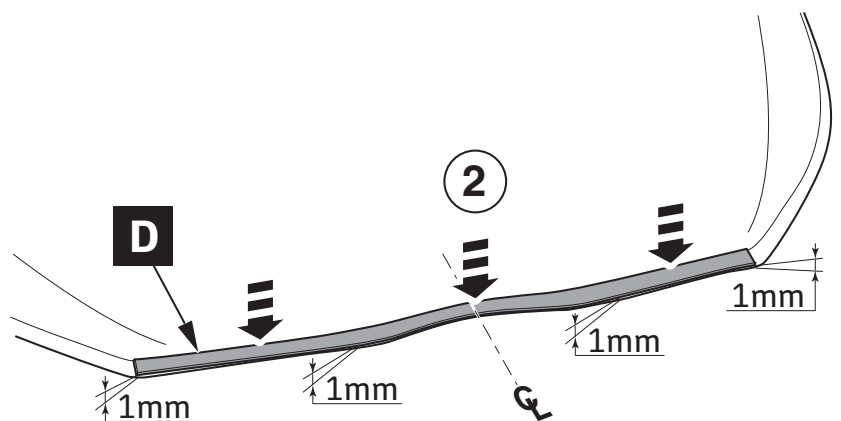
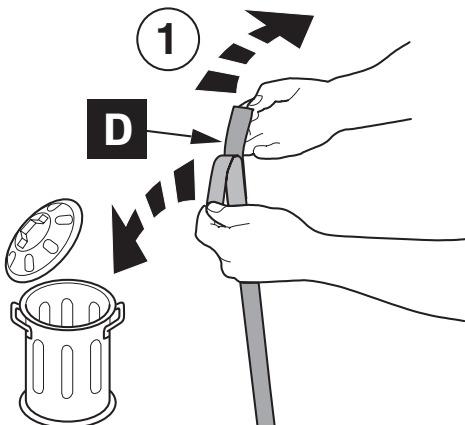


40°C

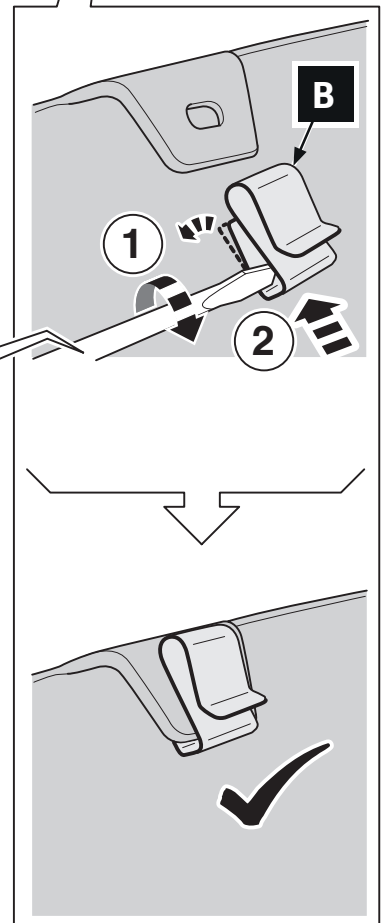
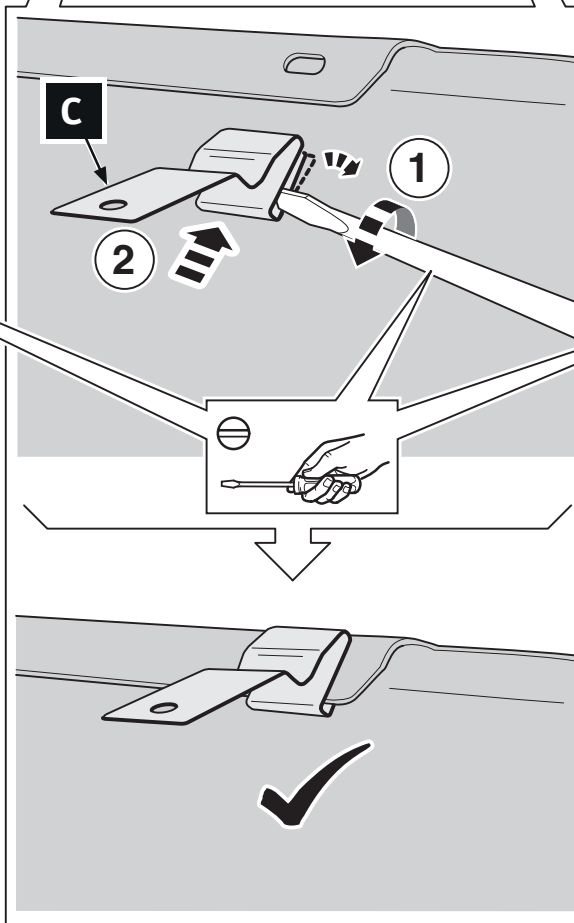
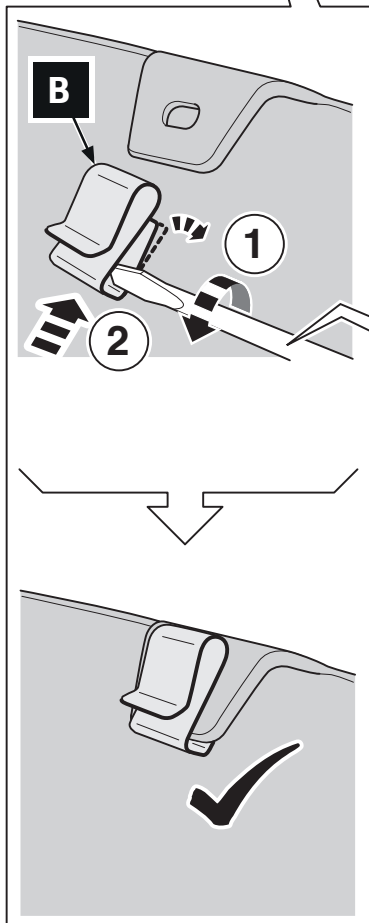
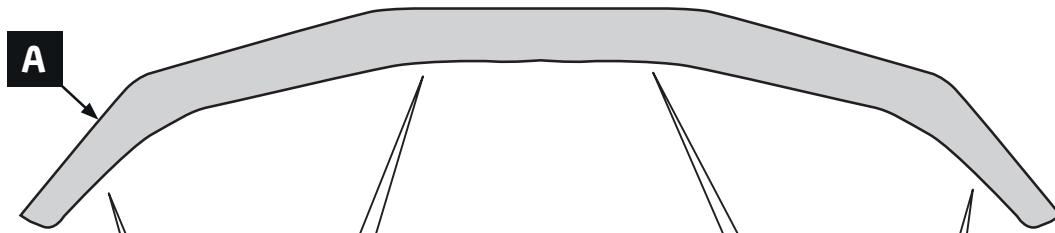
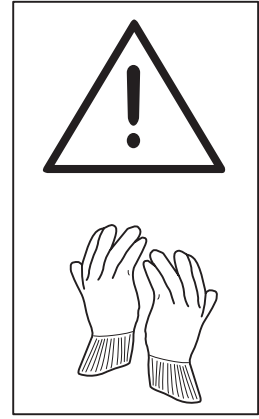
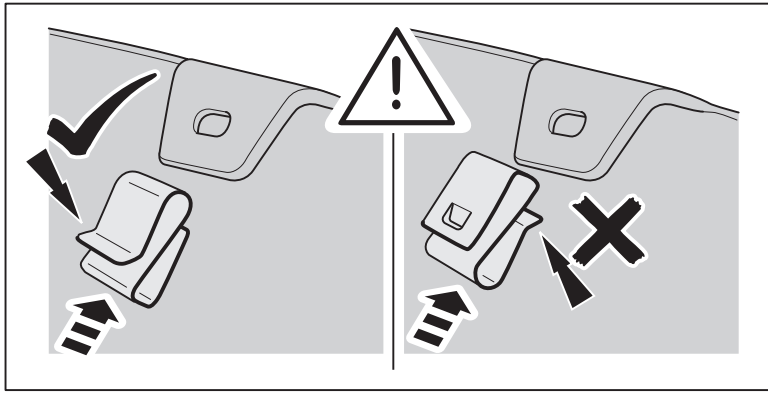
18°C

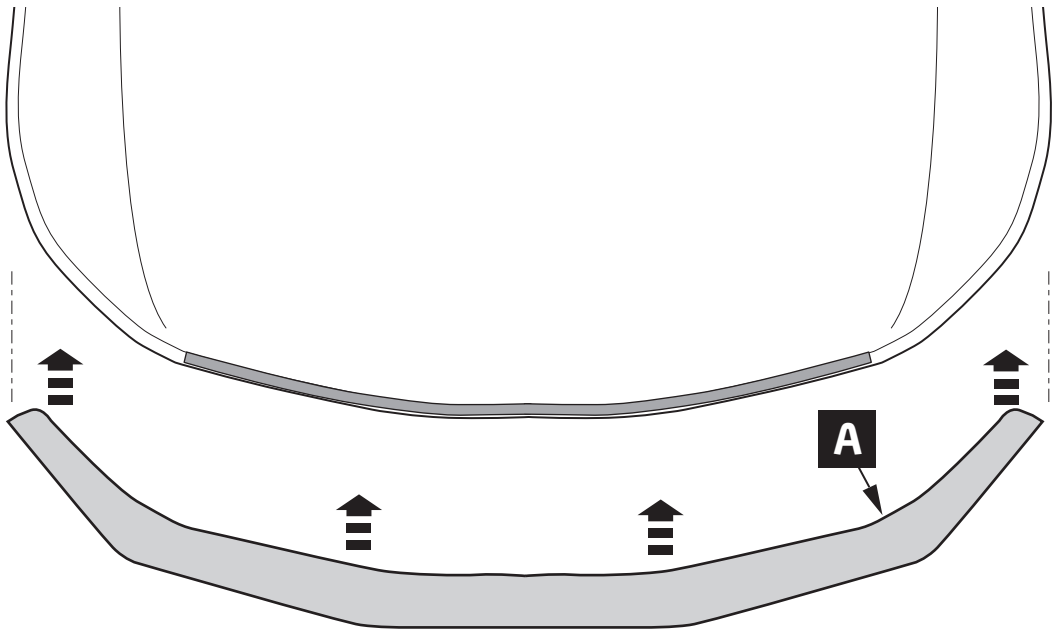


1

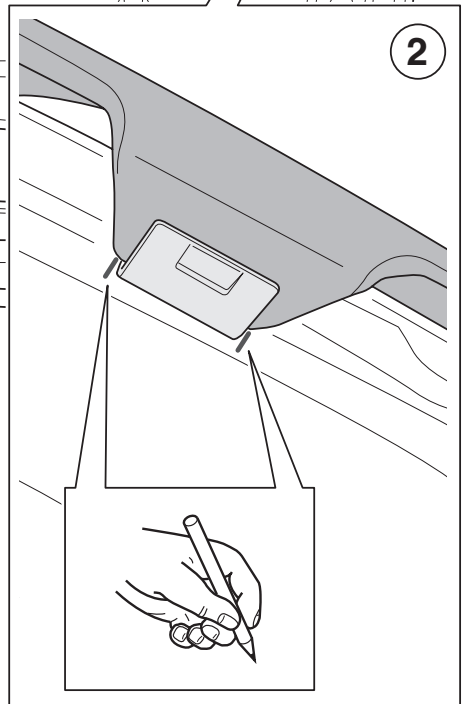
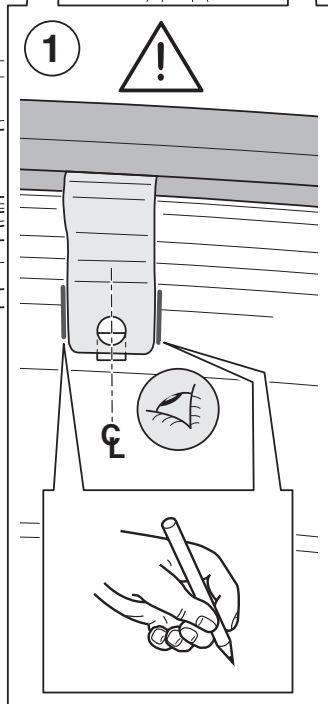
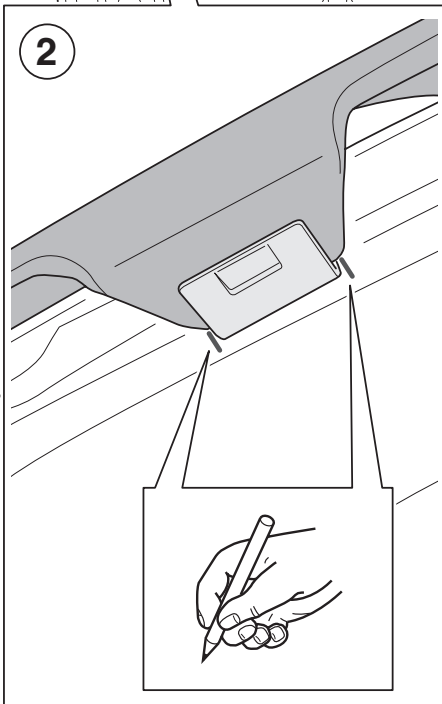
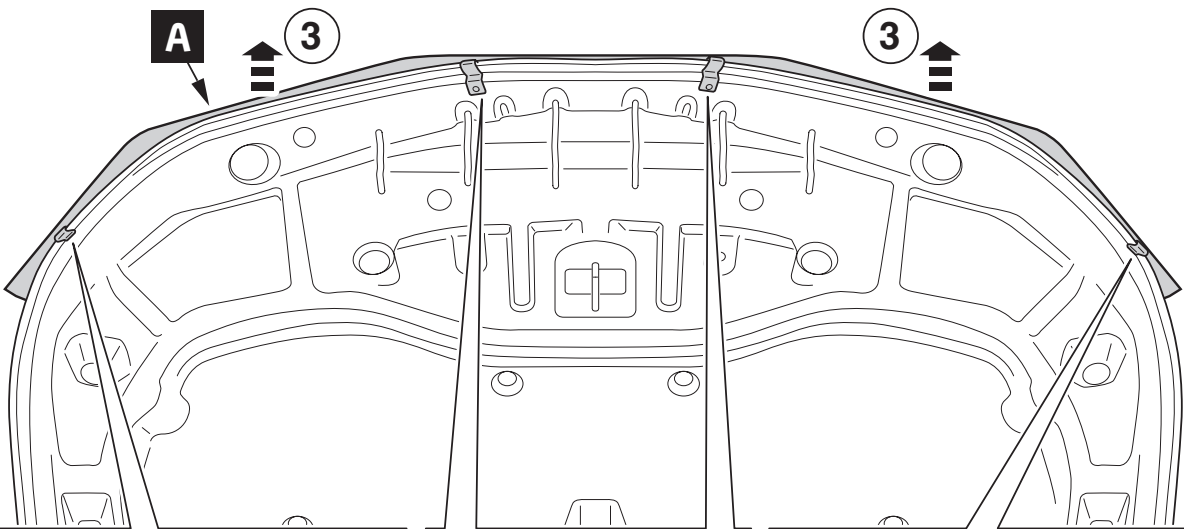


2



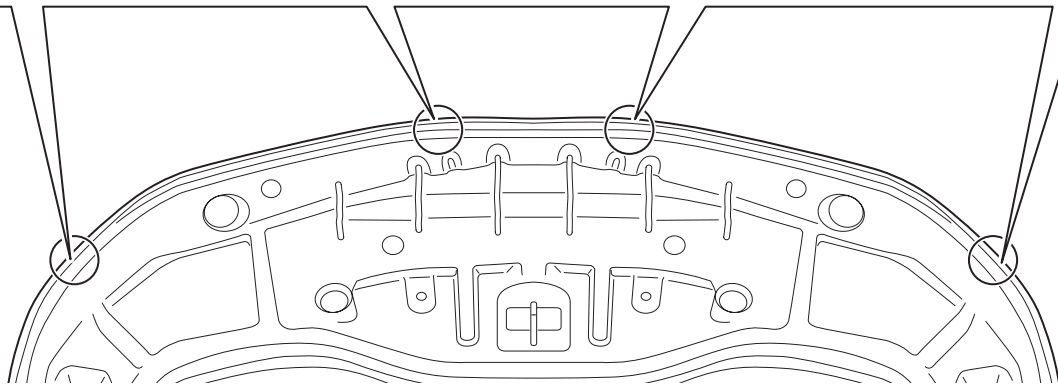
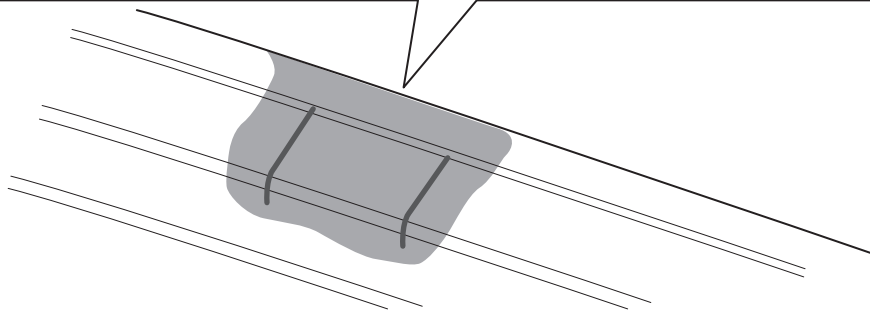
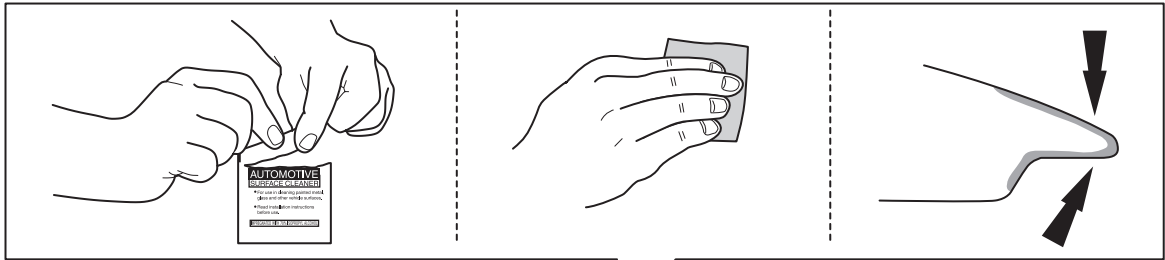


4



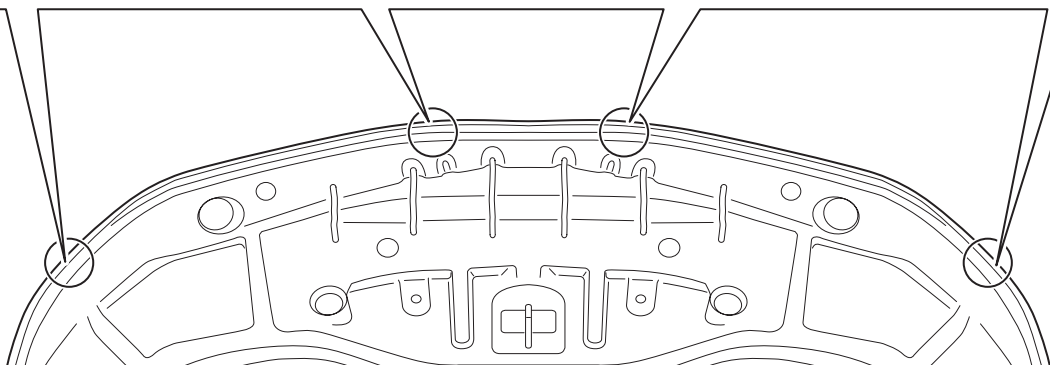
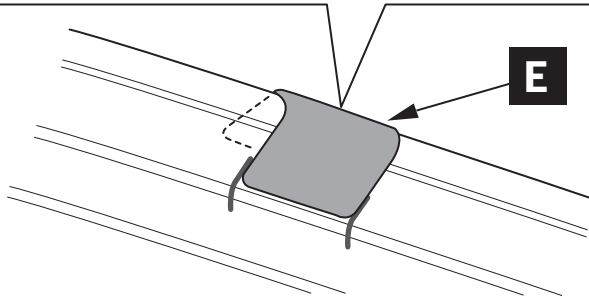
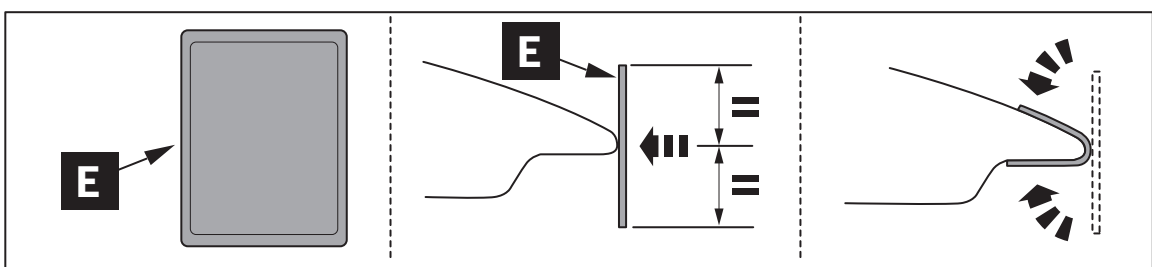
5

4x

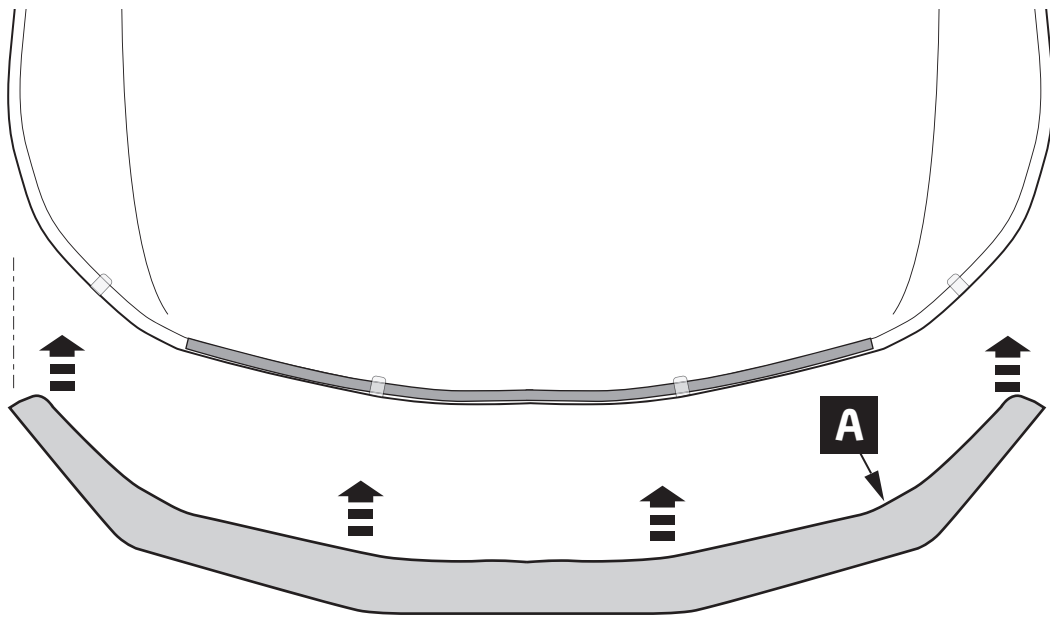


6

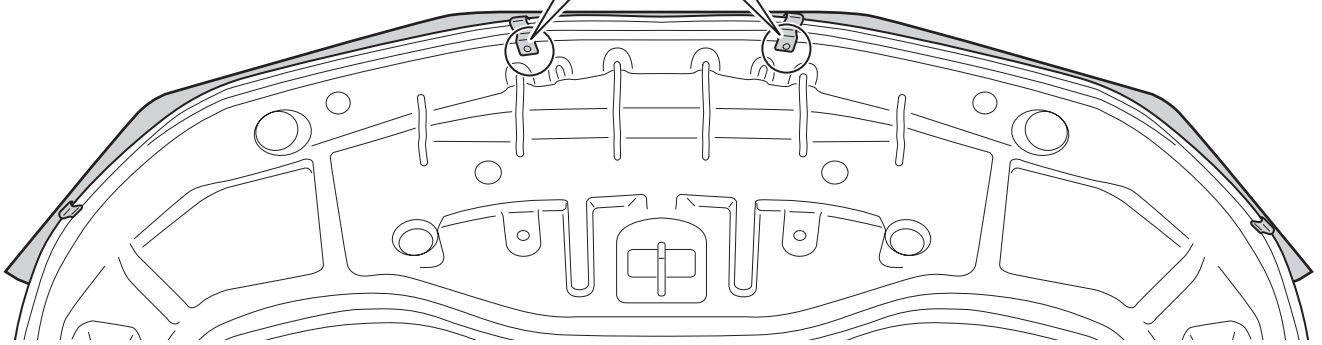
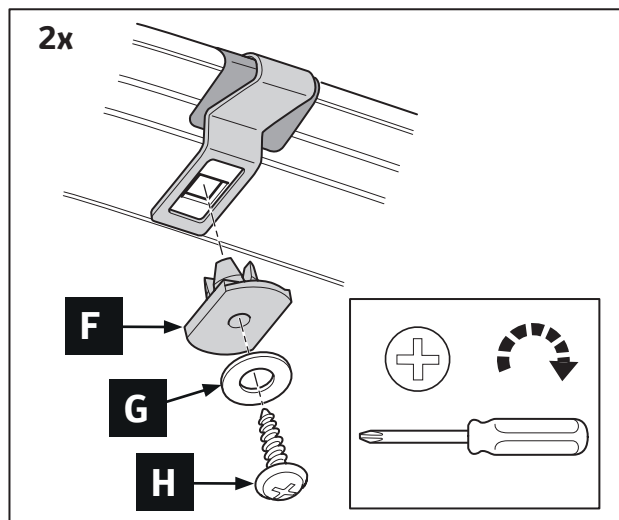
4x



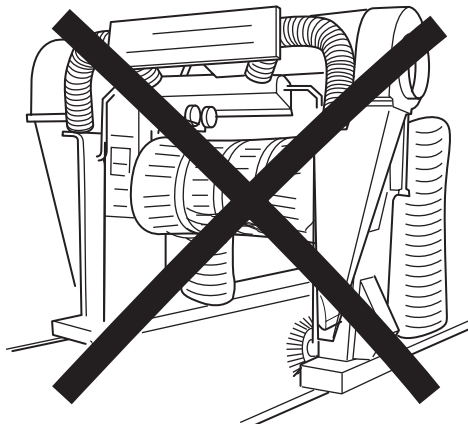
7



8



9



# CHECK SHEET



**TOYOTA**

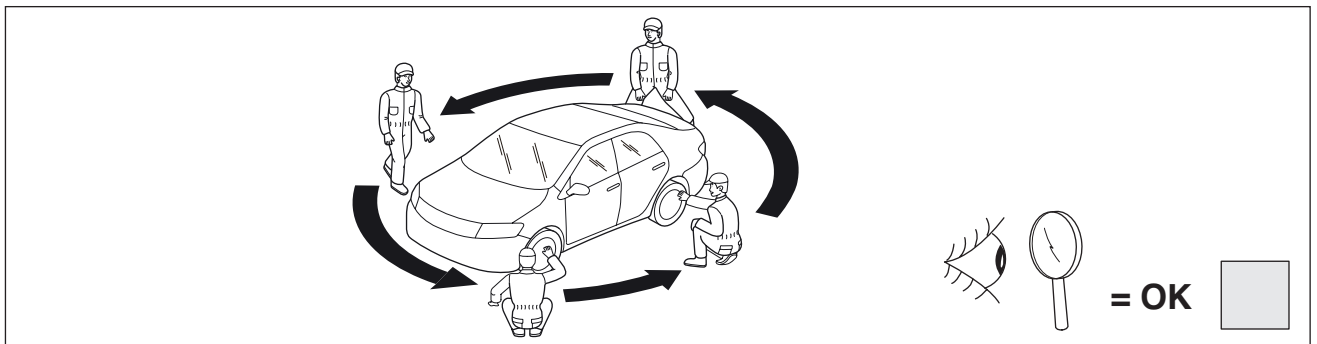
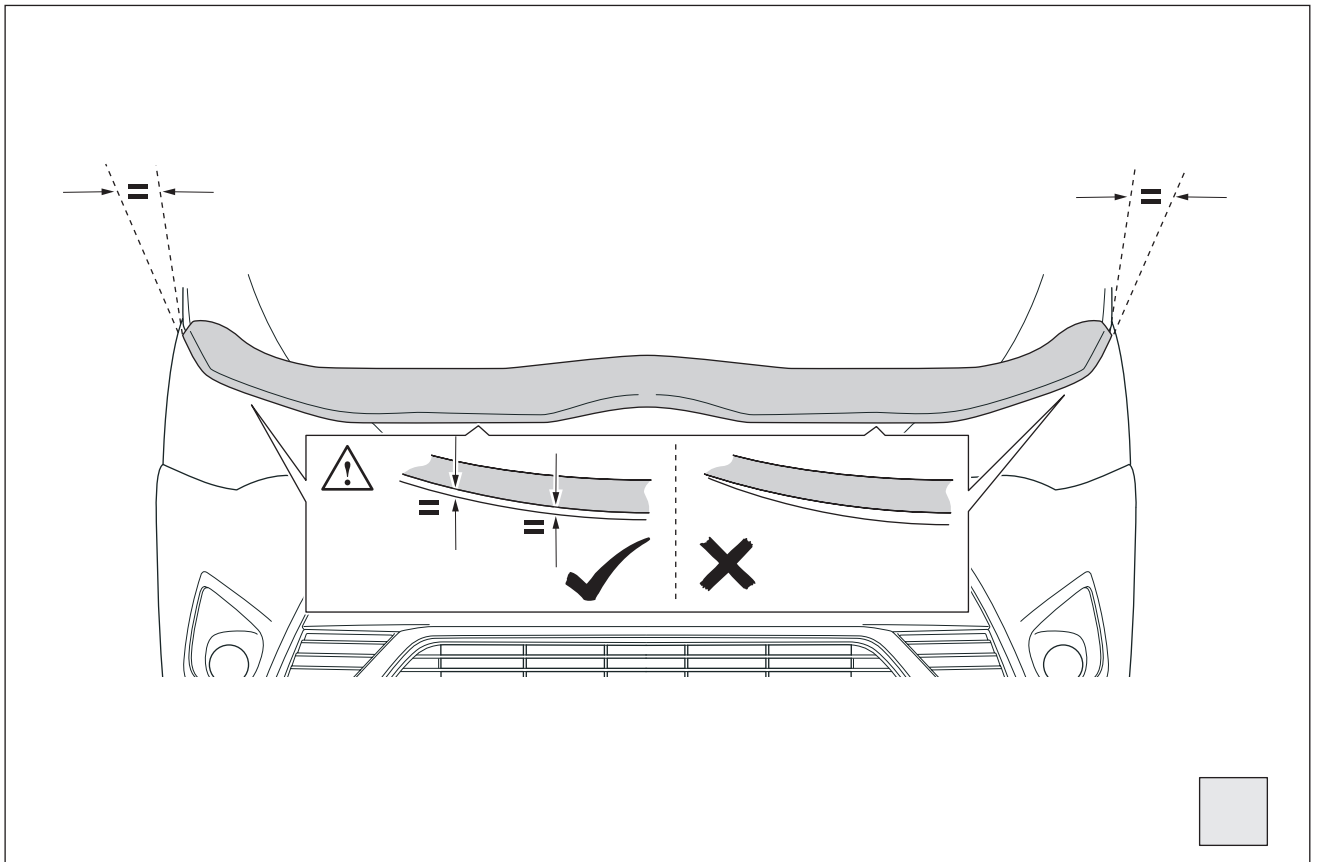
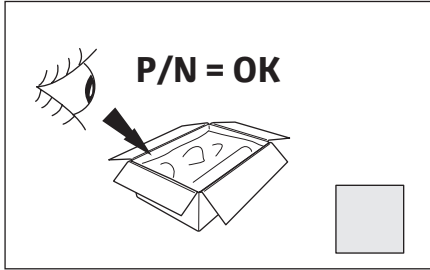
Model / Year

Avensis 2015/05

Hood Protector

VIN n°

ALWAYS A  
BETTER WAY



Installation Date:

. . / . . / . . . .

Technician Name & Signature:

Stamp: