



**INSTALLATION  
INSTRUCTIONS**

Accessory  
**MOONROOF VISOR**  
P/N 08R01-TP6-101

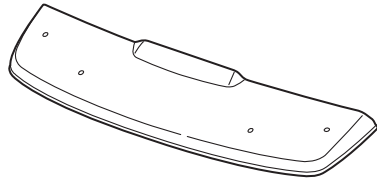
Application  
**2015 CROSSTOUR**

Publications No.  
**VERSION 1**  
Issue Date  
**AUG 2014**

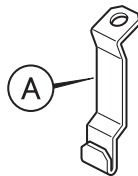
Put this information in the glove box with the vehicle owner's manual.

**PARTS LIST**

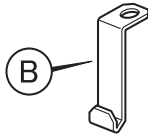
Moonroof visor



2 Front brackets (marked A)



2 Side brackets (marked B)



4 Screws



4 Nuts



4 Protective tapes



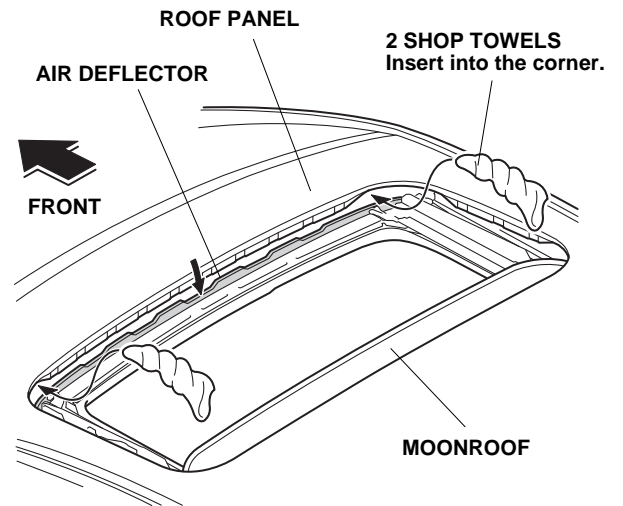
**TOOLS AND SUPPLIES REQUIRED**

- Phillips screwdriver
- 10 mm Combination wrench
- Scale
- Isopropyl alcohol
- Shop towel
- Masking tape
- Felt-tip pen
- Torque screwdriver (T/N CD1401SM)

**INSTALLATION**

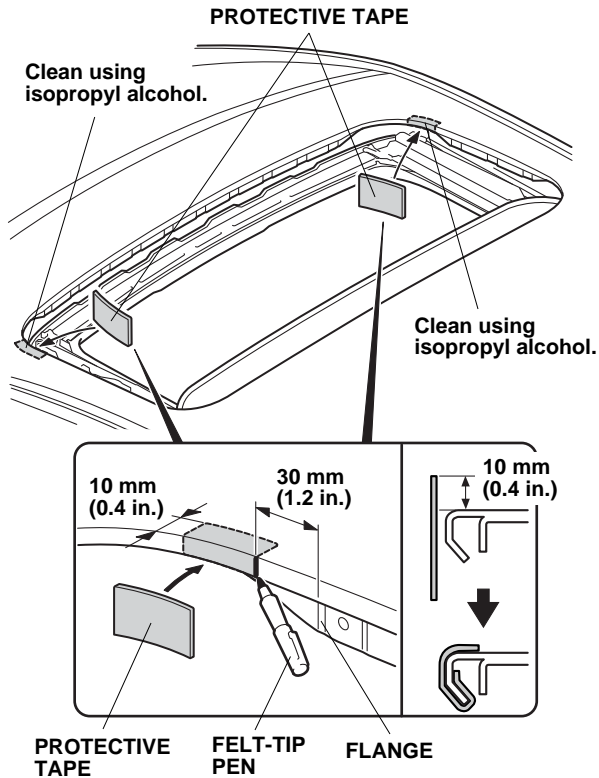
**NOTE:**

- Install the accessory with care to avoid damaging the vehicle.
  - The moonroof visor cannot be installed on a vehicle equipped with a roof rack.
1. Wash and wax the area to be covered with a high-quality paste wax.



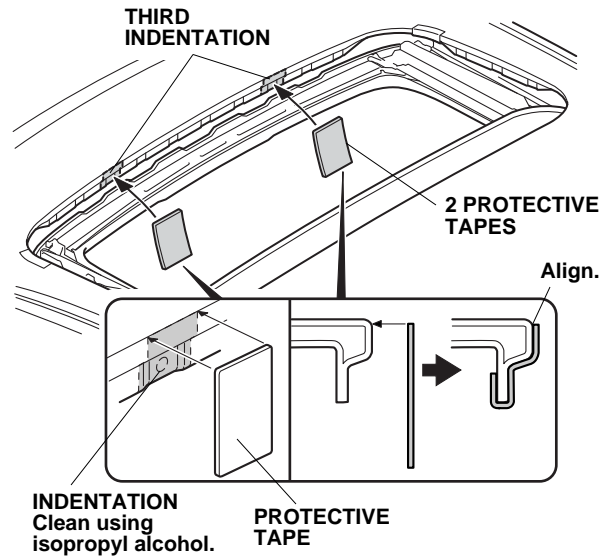
2. Open the moonroof.
3. Roll up two shop towels, and insert them between the roof panel and air deflector to lower the air deflector. Be careful not to damage the air deflector.

4. Locate the flange on the right side of the moonroof opening. Measure 30 mm (1.2 in.) toward the front of the vehicle, and make a mark on the roof. Repeat on the other side of the moonroof opening.

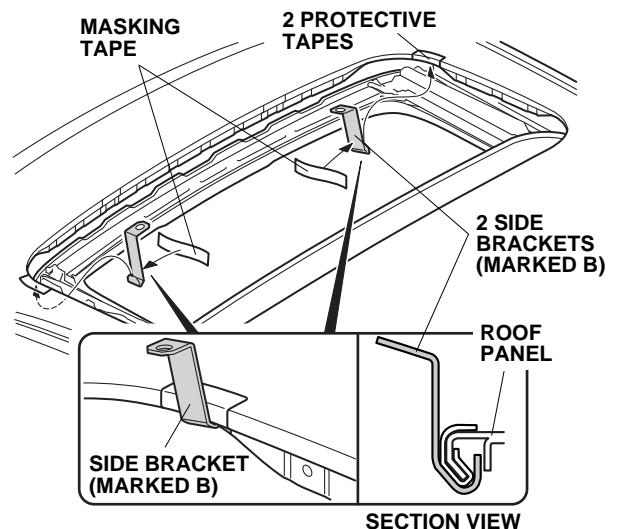


5. Using isopropyl alcohol on a shop towel, clean the roof at each of the two marks you've made, but don't wipe off the marks.
6. Remove the adhesive backings from two pieces of protective tape, and attach them to the roof at the marks you made. Wrap 10 mm (0.4 in.) of the protective tape around the lip of the moonroof opening. Remove the marks.

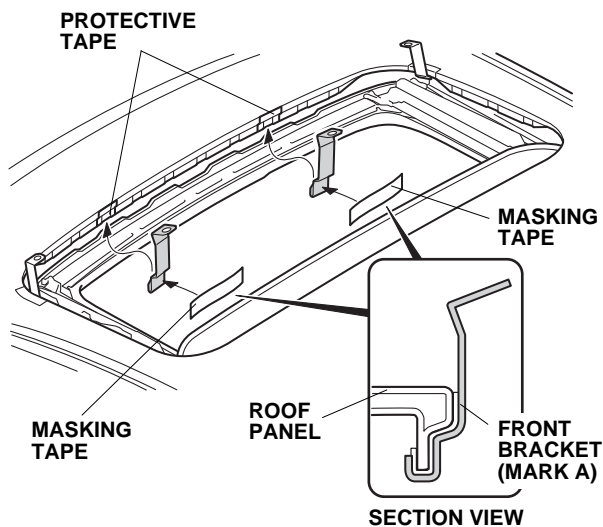
7. Locate each third indentation from the outer edge of the moonroof opening. Using isopropyl alcohol on a shop towel, clean the roof area and the inside edge of the moonroof opening where the protective tape will attach.



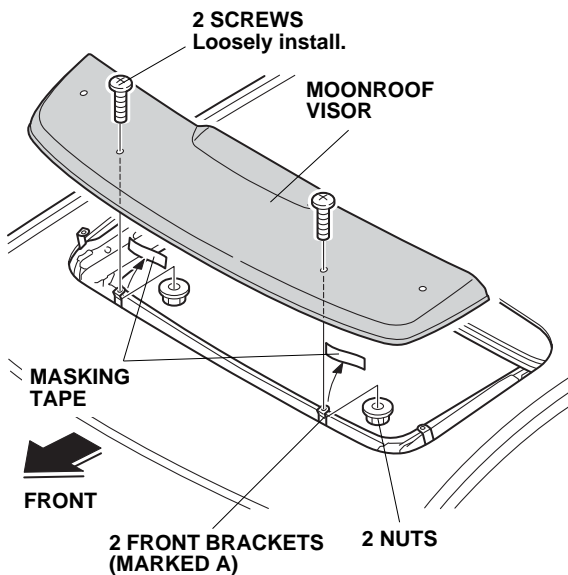
8. Remove the adhesive backing from one of the protective tapes. Starting at the top edge of the moonroof opening, wrap one protective tape around the lip of the moonroof opening to cover the indentation; continue downward with the tape around the lower edge of the roof panel.
9. Using the same procedure, attach the other protective tape to the roof at the third indentation.
10. Place the two side brackets (marked B) into position over the protective tape and around the lip of the roof opening, and secure them into position with pieces of masking tape.



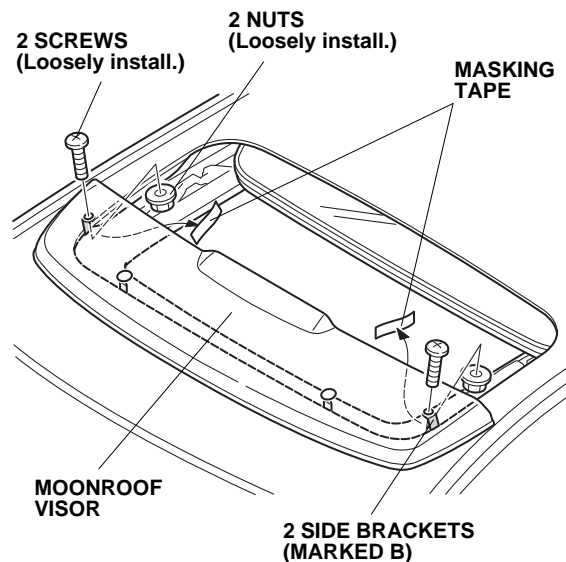
11. Place the two front brackets (marked A) into position over the protective tape and around the lip of the roof opening, and tape them into position with pieces of masking tape. Be sure to align the bottom of the front brackets with the indentations in the lip.



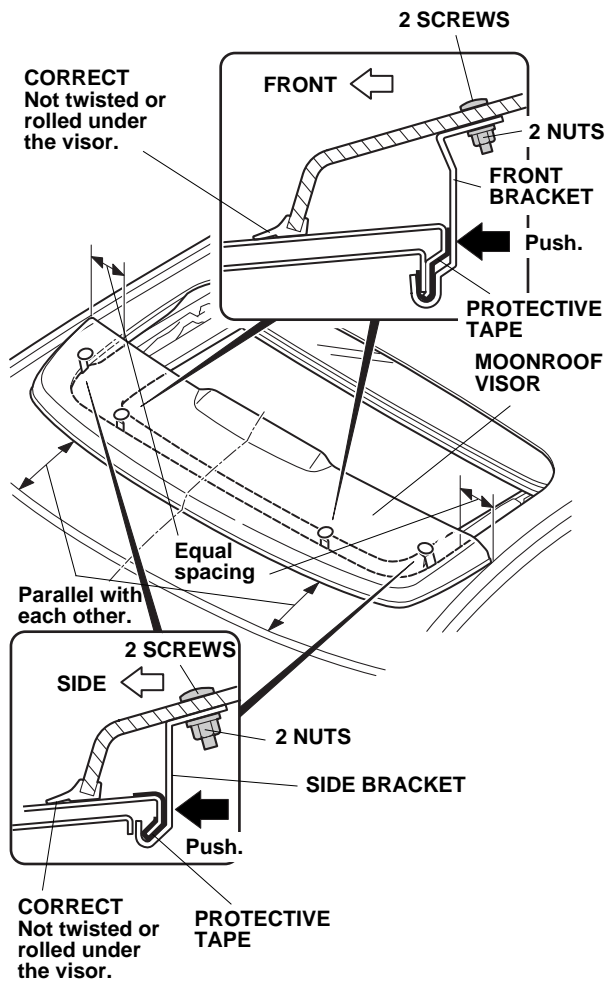
12. Set the moonroof visor on the vehicle roof in front of the moonroof opening, and adjust its position so the holes in the visor are aligned with the front bracket holes. Install two screws and nuts loosely into the front brackets. Remove the masking tape.



13. Install two screws through the two side brackets; then loosely install the nuts as shown. Remove the masking tape.

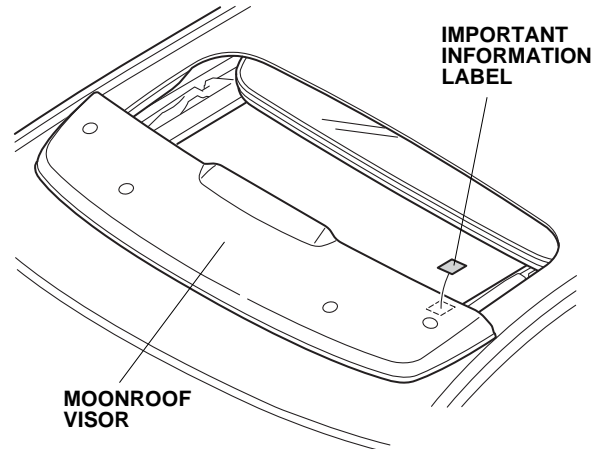


14. Position the moonroof visor with equal spacing on all sides. Check that the rubber seal is not twisted or rolled under the visor.



15. Tighten the two screws and two nuts on the front of the visor first, then tighten the two screws and two nuts on the sides. Tighten while applying pressure so that there is no gap between the roof panel and the brackets. Torque the screws to 2 N·m (1.5 lbf·ft).

16. Remove the IMPORTANT INFORMATION label and the shop towels.



### CARE OF THE MOONROOF VISOR

- To avoid damaging the surface, never use ammonia-based cleaners or solvents to clean the moonroof visor.
- Clean with a solution of mild dishwashing soap and water using a soft cloth or chamois.
- To remove fine scratches and restore the original luster, use Meguiar's Mirror Glaze plastic cleaner and polish or an equivalent high-quality plastic cleaner.